

PRODUCT DATA SHEET

22mm DIAMETER AMPERMETER



DESCRIPTION

Ammeter indicator light is a new design electrical control device that displays current data. It offers a long service life with its quality material structure.

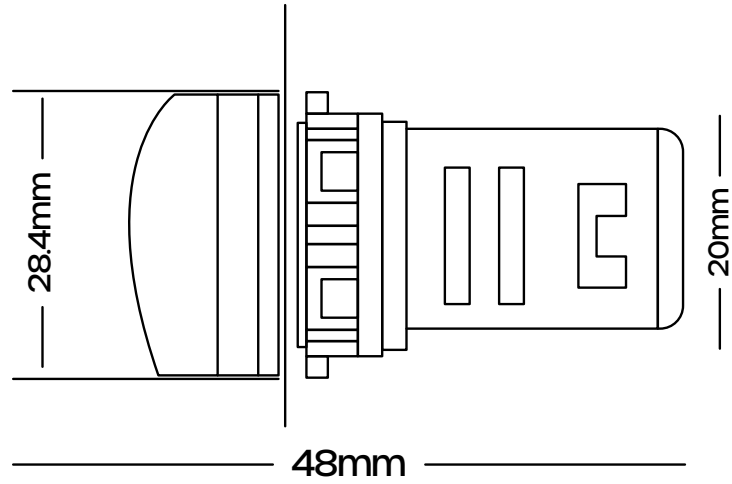
FEATURES

- High brightness LED display.
- Cylindrical main body.
- 0 - 100A Led Ampermeter with current transformer.

PRODUCT DATA SHEET

22mm DIAMETER AMPERMETER

SECTIONS AND DIMENSIONS



| PRODUCT CODE | DIAMETER (mm) | DESCRIPTION | COLOUR |
|--------------|---------------|---|--------|
| 22 AS-M | 22 | 0 - 100A Led Ammeter Current Transformer | Blue |